



**LIST PRICES &  
SPECIFICATIONS**

**2020**

Prices effective 5/4/2020



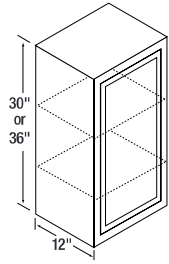
Nationwide, Family-Owned

*Made In USA*

[kitchenkompact.com](http://kitchenkompact.com)



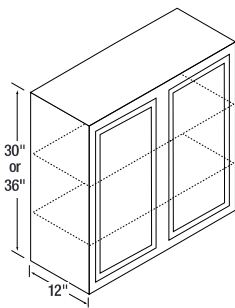
# Wall Cabinets



## 36" High Wall Cabinets (WT)

Item	Glenwood	Warmwood	Chadwood	DWhite
9WT*	\$165	165	173	172
12WT*	\$178	178	186	186
15WT*	\$183	183	192	201
18WT*	\$193	193	202	215
21WT*	\$203	203	213	232
24WT*	\$219	219	229	245
27WT	\$263	263	274	295
30WT	\$274	274	288	311
33WT	\$280	280	293	325
36WT	\$306	306	320	343

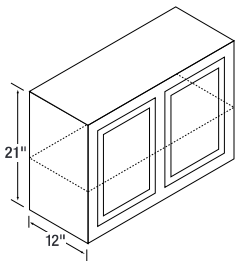
\*Single door. Single door wall units are reversible for right or left hinging, simply turn the cabinet over.



## 30" High Wall Cabinets (W)

Item	Glenwood	Warmwood	Chadwood	DWhite
9W*	\$125	125	130	152
12W*	\$142	142	149	165
15W*	\$147	147	155	179
18W*	\$156	156	163	191
21W*	\$162	162	169	205
24W*	\$177	177	185	217
27W	\$220	220	230	263
30W	\$231	231	243	276
33W	\$235	235	247	290
36W	\$246	246	257	302
42W	\$259	259	272	329
48W	\$301	301	316	356

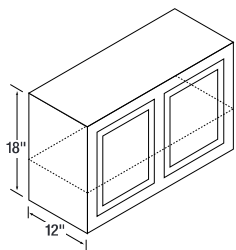
\*Single door. Single door wall units are reversible for right or left hinging, simply turn the cabinet over.



## 21" High Wall Cabinets (R)

Item	Glenwood	Warmwood	Chadwood	DWhite
24R*	\$156	156	163	180
30R	\$183	183	192	225
36R	\$193	193	202	246

\*Single door.



## 18" High Wall Cabinets (Y)

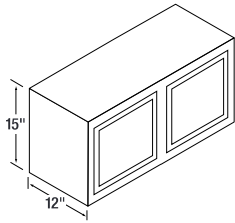
Item	Glenwood	Warmwood	Chadwood	DWhite
24Y*	\$143	143	150	169
30Y	\$171	171	181	202
36Y	\$182	182	190	233

\*Single door.

Please refer to page 12 for Wood Characteristics & Finishes.  
For more information, see the warranty section at [kitchencompact.com/warranty](http://kitchencompact.com/warranty).

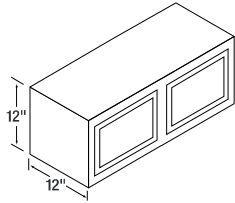
Watch the DWhite touch-up kit video at [kitchencompact.com/dwkit](http://kitchencompact.com/dwkit).

# Wall Cabinets *cont'd*



## 15" High Wall Cabinets (X)

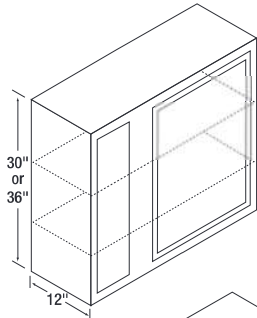
Item	Glenwood	Warmwood	Chadwood	DWhite
30X	\$161	161	169	187
33X	\$165	165	174	195
36X	\$170	170	179	204



## 12" High Wall Cabinets (X12)

Item	Glenwood	Warmwood	Chadwood	DWhite
30X12	\$152	152	159	174
36X12	\$161	161	168	187

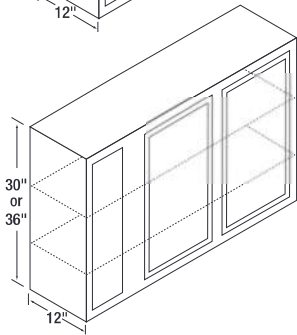
# Wall Corner Cabinets



## 36" High Wall Corner Cabinets (WCT)

Item	Glenwood	Warmwood	Chadwood	DWhite
24WCT*	\$203	203	213	243
36WCT*	\$263	263	274	308

All lines may be pulled 4-1/2".  
\*Single door.



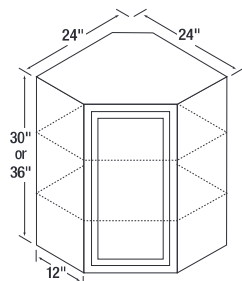
## 30" High Wall Corner Cabinets (WC)

Item	Glenwood	Warmwood	Chadwood	DWhite
24WC*	\$174	174	183	216
36WC*	\$220	220	230	269
42WC	\$250	250	262	327

All lines may be pulled 4-1/2".  
\*Single door.

**24WC Can pull to 28-1/2"** - One 6" opening. One 6" Stile. One 9" opening for a 27 x 9-1/2" door.  
**36WC Can pull to 40-1/2"** - One 6" opening. One 6" Stile. One 21" opening for a 27 x 21-1/2" door.  
**42WC Can pull to 46-1/2"** - One 6" opening. One 6" Stile. Two 12" openings for two 27 x 12-1/2" doors.  
 One 3" Stile (between 12" openings).

# Angle Wall Cabinets



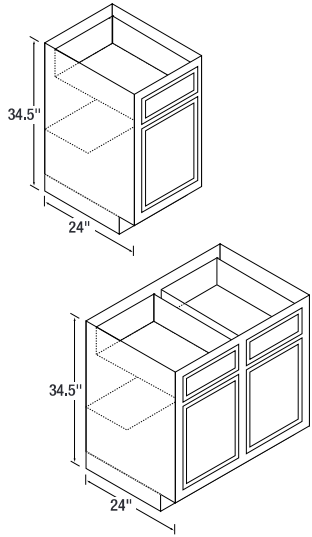
## 36" High Angle Wall Cabinet (AT)

Item	Glenwood	Warmwood	Chadwood	DWhite
24AT	\$306	306	320	314

## 30" High Angle Wall Cabinet (A)

Item	Glenwood	Warmwood	Chadwood	DWhite
24A	\$246	246	257	286

# Base Cabinets



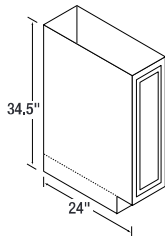
## Base Cabinets (B)

Item	Glenwood	Warmwood	Chadwood	DWhite
12B*	\$205	205	216	244
15B*	\$219	219	230	261
18B*	\$231	231	243	277
21B*	\$254	254	266	290
24B*	\$273	273	286	313
27B* (3" Side Stiles)	\$299	299	315	336
30B	\$333	333	349	401
33B (3" Side Stiles)	\$345	345	361	420
36B	\$356	356	372	436
42B	\$386	386	405	471
48B	\$407	407	428	507

Toe Kick is 4" high x 3" deep.

\*Single door. Single door base units are reversible, simply hang door right or left, using holes predrilled in rails.

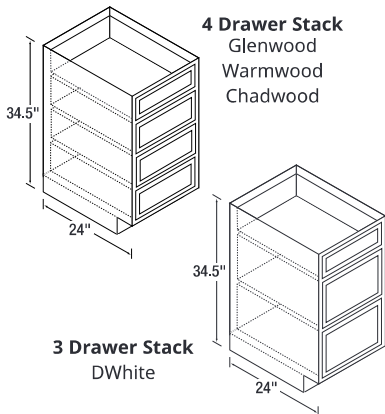
# Tray Cabinet



## Tray Cabinet (T)

Item	Glenwood	Warmwood	Chadwood	DWhite
9T	\$183	183	192	194

# Drawer Cabinets

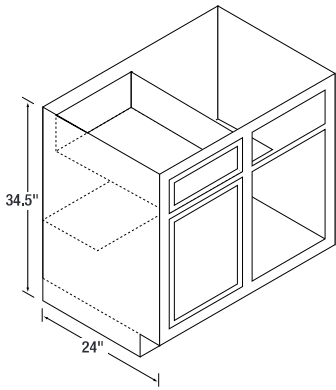


## Drawer Cabinets (D)

Item	Glenwood	Warmwood	Chadwood	DWhite
15D	\$315	315	329	383
18D	\$334	334	350	413
24D	\$379	379	396	474

Available only as  
4 drawer stack
Available only as  
4 drawer stack
Available only as  
4 drawer stack
Available only as  
3 drawer stack

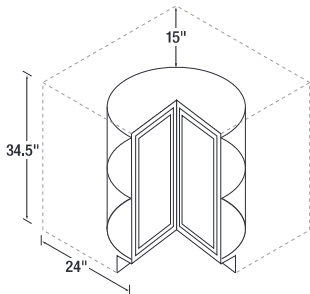
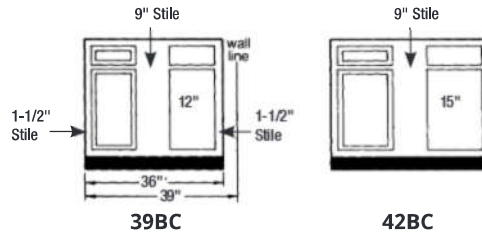
# Base Corner Cabinets



## Base Corner Cabinets (BC)

Item	Glenwood	Warmwood	Chadwood	DWhite
39BC	\$295	295	309	355
42BC	\$314	314	328	381

**39BC** must be pulled to 39" and may be pulled to 46". **42BC** may be pulled to 49".

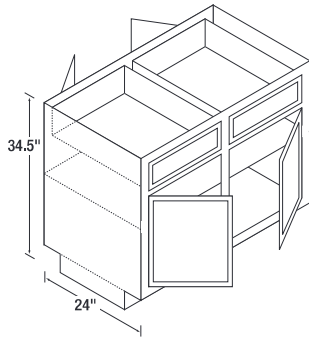


## Lazy Susan Corner Cabinet (LS)

Item	Glenwood	Warmwood	Chadwood	DWhite
36LS	\$489	489	511	474

**Lazy Susan** is 34-1/2" high and takes up 36" on each wall. Actual shelf is 24" diameter. Shipped without end panels.

# Peninsula Base Cabinets

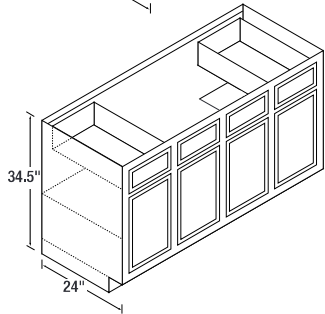
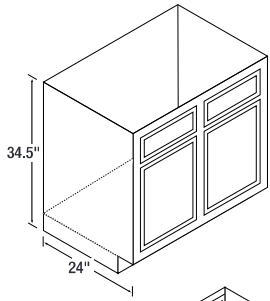


## Peninsula Base Cabinets (P)

Item	Glenwood	Warmwood	Chadwood	DWhite
36B-P	\$527	527	553	597
48B-P	\$609	609	640	707
48BC-P	\$540	540	567	633

**BC-P** indicates Blind Corner Peninsula.

# Range & Sink Base Cabinets



## Range & Sink Base Cabinets (RBS)

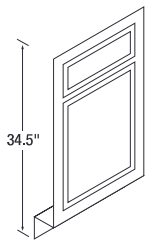
Item	Glenwood	Warmwood	Chadwood	DWhite
30RBS	\$280	280	293	345
33RBS (3" Side Stiles)	\$284	284	297	363
36RBS	\$296	296	311	365
42RBS	\$326	326	341	399

## Sink Base Cabinets (SB)

Item	Glenwood	Warmwood	Chadwood	DWhite
60SB	\$524	524	551	635

No shelf under sink (center section) and no back on cabinet.  
Combination unit consists of 15-30-15.  
Opening between drawers on **60SB** is 33".

# Sink Front

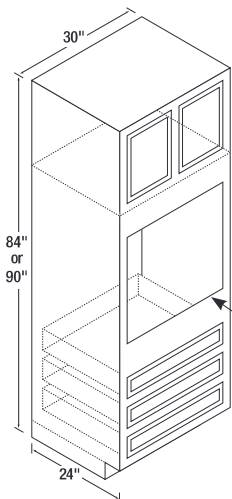


## Sink Front (SF)

Item	Glenwood	Warmwood	Chadwood	DWhite
18SF*	\$117	117	122	144

\*Square edge.

# Oven Cabinets



## 90" High Oven Cabinet (OUT)

Item	Glenwood	Warmwood	Chadwood	DWhite
30OUT	\$998	998	1,046	926

Metal support rails included.

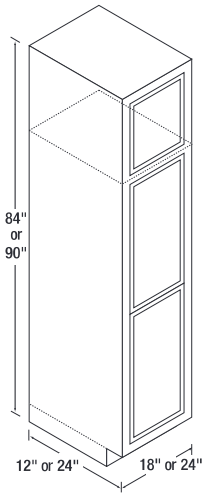
## 84" High Oven Cabinet (OU)

Item	Glenwood	Warmwood	Chadwood	DWhite
30OU	\$799	799	839	865

Metal support rails included.

To accommodate almost every type of oven, the opening can be cut from a minimum width of 21" to a maximum width of 28.5" and a minimum height of 27.5" to a maximum height of 60" (One or more lower drawers may need to be removed).

# Broom Cabinets



## 90" High Broom Cabinets (BRT)

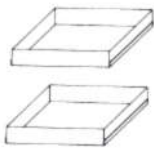
Item	Glenwood	Warmwood	Chadwood	DWhite
18BRWT (12" deep)	\$466	466	489	488
18BRBT (24" deep)	\$545	545	571	633
24BRBT (24" deep)	\$777	777	814	693

## 84" High Broom Cabinets (BR)

Item	Glenwood	Warmwood	Chadwood	DWhite
18BRW (12" deep)	\$401	401	420	449
18BRB (24" deep)	\$469	469	492	578
24BRB (24" deep)	\$623	623	652	634

No shelves included with **Broom Cabinets**. Optional **Shelf Kit** Includes four (4) shelves and clips: **18BRW/BRWT** kits @ \$47/kit, **18BRB/18BRBT** kits @ \$87/kit, and **24BRB/BRBT** kits @ \$116/kit.

# Accessories



## Accessories

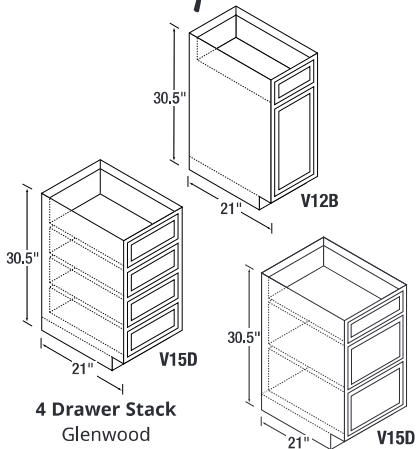
Item	Glenwood	Warmwood	Chadwood	DWhite
Pantry/Base Roll-Out Tray (priced per box – packaged 2 trays per box)				
15BT	\$141	141	141	141
18BT	\$153	153	153	153
24BT	\$161	161	161	161

# Vanity Cabinets

## 30.5" High Vanity Cabinets (V)

Item	Glenwood	Warmwood	Chadwood	DWhite
V12B	\$205	205	216	217
V15D	\$286	286	299	328
V24S	\$243	243	254	248
V30S	\$266	266	280	292
V36S	\$296	296	311	316
V36SD	\$362	362	380	400
V42S*	\$377	377	395	429
V48S*	\$398	398	418	461

Opening between drawers on **V42S/V48S** is 21.5".  
\*Two outside working drawers.

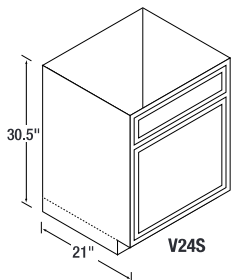


**4 Drawer Stack**  
Glenwood  
Warmwood  
Chadwood

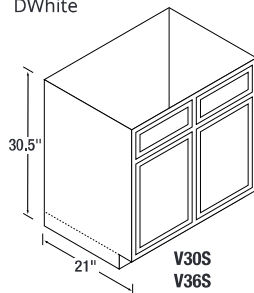
**3 Drawer Stack**  
DWhite

**4 Drawer Stack**  
Glenwood  
Warmwood  
Chadwood

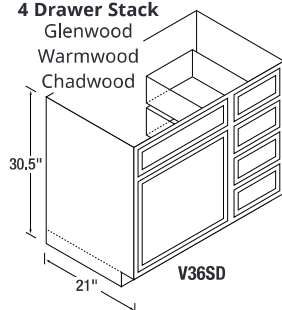
**3 Drawer Stack**  
DWhite



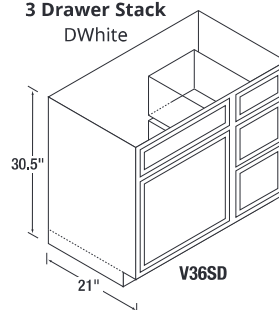
V24S



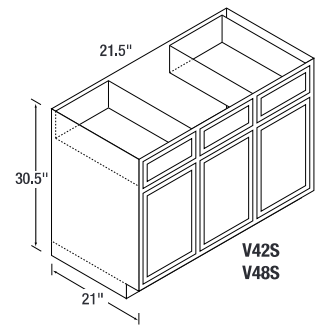
V30S  
V36S



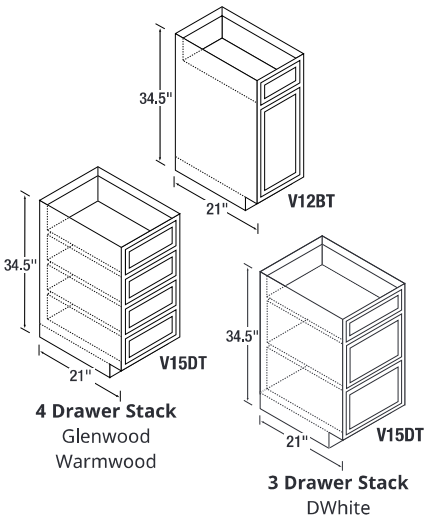
V36SD



V36SD



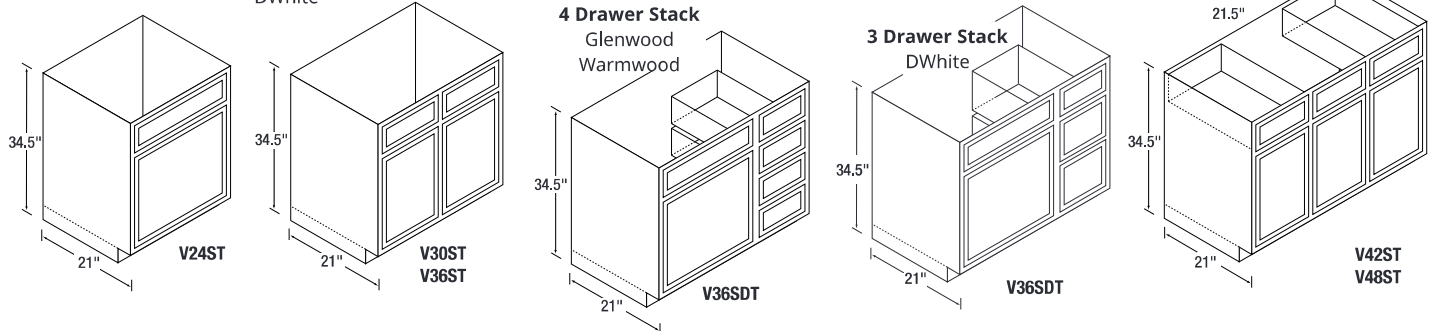
V42S  
V48S



**34.5" High Vanity Cabinets (VT)**

Item	Glenwood	Warmwood	Chadwood	DWhite
V12BT	\$227	227	NA	234
V15DT	\$321	321	NA	375
V24ST	\$262	262	NA	258
V30ST	\$290	290	NA	316
V36ST	\$326	326	NA	346
V36SDT	\$399	399	NA	453
V42ST*	\$391	391	NA	466
V48ST*	\$411	411	NA	499

Opening between drawers on **V42S/V48S** is 21.5".  
 \*Two outside working drawers.



**All Standard/Tall Vanities 21" Deep.**

## Miscellaneous Items

### Miscellaneous Items

Item	Glenwood	Warmwood	Chadwood	DWhite
<b>Valance Boards</b>				
48" Val 3/4" x 5-1/2" x 48" (6 to box)				
Per piece	\$45	45	63	53
72" Val 3/4" x 5-1/2" x 72" (6 to box)				
Per piece	\$59	59	84	70

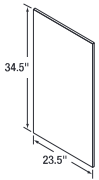
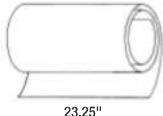
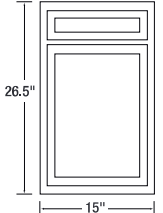
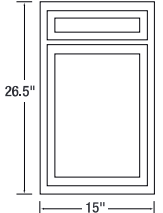

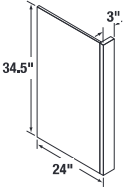
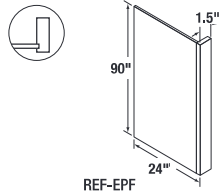
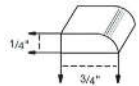
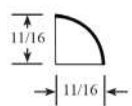
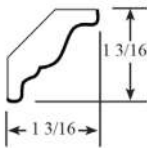
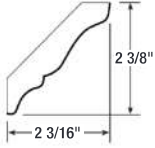
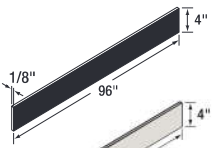
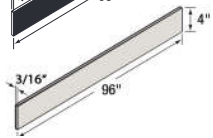
<b>Filler Strips</b>				
3" Filler Strips 3"W x 36"L (12 to box)				
Per piece	\$22	22	27	26
6" Filler Strips 6"W x 36"L (6 to box)				
Per piece	\$34	34	55	41
3" Filler Strips 3"W x 90"L (12 to box)				
Per piece	\$48	48	66	57

<b>Touch-Up</b>				
Touch-Up Pens (12 to box)				
Per pen	\$28	28	28	N/A
Pints of Stain				
Per pint	\$50	50	32	N/A
Touch-up Kits				
Per kit	N/A	N/A	N/A	100

Learn more about the DWhite touch-up kit at [kitchencompact.com/dwkit](http://kitchencompact.com/dwkit).

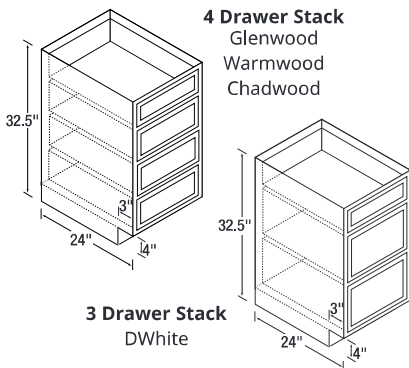
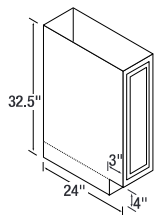
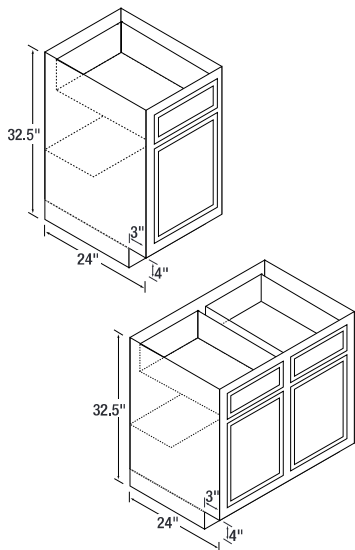


# Miscellaneous Items *cont'd*

Item	Glenwood	Warmwood	Chadwood	DWhite
	<b>Base End Panels – EP</b> May be used R or L 1/2" x 23-1/2" x 34-1/2" (6 to box) Per piece			
	\$48	48	48	57
	<b>END COVERS</b> (self-adhesive backing) <b>Base End Cover – 23-1/4" x 34-1/2"</b> (6 to box) Per piece			
	\$114	114	102	N/A
	<b>Oven End Cover – 23-1/4" x 90"</b> (6 to box) Per piece			
	\$311	311	279	N/A
	<b>Salesman Sample Door &amp; Frame</b> 15" x 26-1/2" Front (4 to box) Per piece			
	\$124	124	130	161
	<b>Back Panels</b> (also for dishwashers) 3/16" x 34-1/2" x 48" (6 to box) Per piece			
	\$129	129	116	153
	<b>End Panel Faced – EPF3</b> Faced with 3" stile. 1/2" x 24" x 34-1/2" (4 to box) Per piece			
	\$87	87	91	103
	<b>REF – EPF</b> (Refrigerator End Panel) Faced with 1.5" stile. 1/2" x 24" x 90" (2 to box) Per piece			
	\$198	198	208	321
	<b>Scribe Molding</b> 1/4" x 3/4" x 96" (63 pieces/504' to box) Per piece			
	\$31	31	21	30
	<b>Quarter Round Molding</b> 11/16" x 11/16" x 96" (25 pieces/200' to box) Per piece			
	\$26	26	25	25
	<b>CROWN MOLDING</b> <b>Small Crown Molding</b> 1-3/16" x 1-3/16" x 96" (15 pieces/120' to box) Per piece			
	\$44	44	42	42
	<b>Large Crown Molding</b> 2-3/8" x 2-3/16" x 96" (16 pieces/128' to box) Per piece			
	\$71	71	70	68
	<b>Toe Kick Material</b> Black Hardboard 1/8" x 4" x 96" (25 pieces/200' to box) Per piece			
	\$11	11	11	11
	<b>Matching Toe Kick Material</b> Finished TK 3/16" x 4" x 96" (25 pieces/200' to box) Per piece			
	\$44	44	40	42

# ADA Accessible Cabinets

Kitchen Kompact offers 32-1/2" high base cabinets to help comply with ADA (Americans with Disabilities Act) requirements. Such cabinets are especially important for multi-family projects subject to HUD and FHA funding. Kitchen Kompact will only provide ADA accessible cabinets on multi-family projects where the ADA accessible units are 10% or less of the entire project. These cabinets are special order and are available in all door styles. Please allow a minimum of two weeks for delivery.



**3 Drawer Stack**  
DWhite

## Universal Design Base Cabinets

Item	Glenwood	Warmwood	Chadwood	DWhite
UD12B*	\$246	246	260	281
UD15B*	\$263	263	276	301
UD18B*	\$278	278	292	319
UD21B*	\$305	305	320	334
UD24B*	\$328	328	344	360
UD27B* (3" Side Stiles)	\$359	359	378	387
UD30B	\$400	400	419	462
UD33B (3" Side Stiles)	\$414	414	434	483
UD36B	\$428	428	447	502
UD42B	\$464	464	486	542
UD48B	\$489	489	514	584

**Toe Kick** is 4" high x 3" deep.

\*Single door. Single door base units are reversible, simply hang door right or left, using holes predrilled in rails.

## Universal Design Tray Cabinets

Item	Glenwood	Warmwood	Chadwood	DWhite
UD9T	\$220	220	231	224

## Universal Design Drawer Cabinets

Item	Glenwood	Warmwood	Chadwood	DWhite
UD15D	\$378	378	395	441
UD18D	\$401	401	420	475
UD24D	\$455	455	476	546
	Available only as 4 drawer stack	Available only as 4 drawer stack	Available only as 4 drawer stack	Available only as 3 drawer stack

## Universal Design Range & Sink Base Cabinets

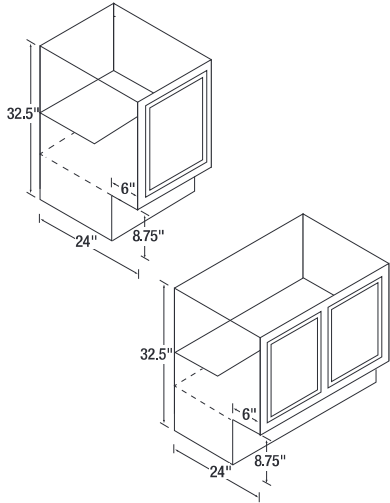
Item	Glenwood	Warmwood	Chadwood	DWhite
UD30RBS	\$336	336	352	397
UD33RBS (3" Side Stiles)	\$341	341	357	418
UD36RBS	\$356	356	374	420
UD42RBS	\$392	392	410	459

## Universal Design Base Corner Cabinets

Item	Glenwood	Warmwood	Chadwood	DWhite
UD39BC	\$354	354	371	409
UD42BC	\$377	377	394	439

**UD39BC** must be pulled to 39" and may be pulled to 46". **UD42BC** may be pulled to 49".

# ADA Accessible Cabinets *cont'd*

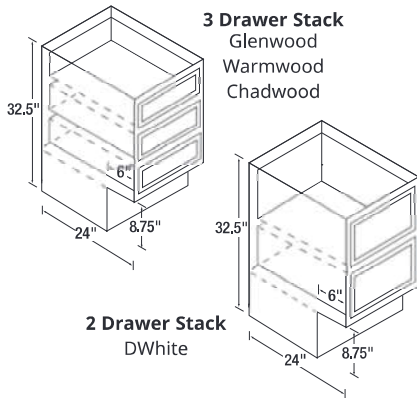


## Handicapped Design Base Cabinets

Item	Glenwood	Warmwood	Chadwood	DWhite
H12B*	\$246	246	260	281
H15B*	\$263	263	276	301
H18B*	\$278	278	292	319
H21B*	\$305	305	320	334
H24B*	\$328	328	344	360
H27B* (3" Side Stiles)	\$359	359	378	387
H30B	\$400	400	419	462
H33B (3" Side Stiles)	\$414	414	434	483
H36B	\$428	428	447	502
H42B	\$464	464	486	542
H48B	\$489	489	514	584

Toe Kick is 8.75" high x 6" deep.

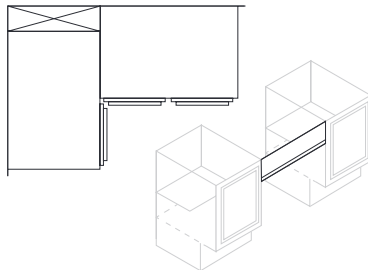
\*Single door. Single door base units are reversible, simply hang door right or left, using holes predrilled in rails.



## Handicapped Design Drawer Cabinets

Item	Glenwood	Warmwood	Chadwood	DWhite
H15D	\$378	378	395	441
H18D	\$401	401	420	475
H24D	\$455	455	476	546
	Available only as 3 drawer stack	Available only as 3 drawer stack	Available only as 3 drawer stack	Available only as 2 drawer stack

## Handicapped Design Base Corner Cabinets



Item	Glenwood	Warmwood	Chadwood	DWhite
H39BC	\$354	354	371	409
H42BC	\$377	377	394	439

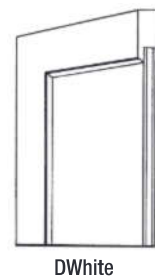
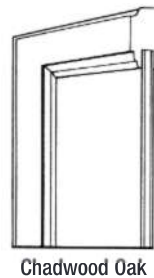
H39BC must be pulled to 39" and may be pulled to 46". H42BC may be pulled to 49".

## Door Styles

**Glenwood and Warmwood:** Shaker style door frames are made of solid beech, mortised and tenoned. The recessed plywood insert is three-ply with a rotary cut hard maple veneer. Drawer heads have routed finger pulls.

**Chadwood:** Solid Appalachian oak frames are joined by mortise and tenon. The recessed plywood insert is three-ply with a rotary cut red oak veneer. Drawer heads have routed finger pulls.

**DWhite:** Painted white shaker style door frames are made of solid beech, mortised and tenoned. The recessed plywood insert is three-ply with a rotary cut hard maple veneer. Drawer heads have routed finger pulls.



# Specifications

## Cabinet Construction

All face frames are 3/4" kiln-dried rails, joined by mortise and tenon with glue. Glenwood, Warmwood, and DWhite face frames are built using a mixture of solid beech and sycamore. Chadwood face frames are built using solid oak. All wall and base cabinets have 1/8" backs. Wall cabinets are equipped with solid wood hanging rails at back, both top and bottom. End panels are wood veneered, 1/2" thick engineered wood core plywood, fastened to front frame with tongue-in-groove construction. Tops and bottoms are 3/16" hardboard dadoed into sides, interlocked into hanging rails of all wall units, and secured with an adhesive for added strength.

## Finish

A 4-step process is applied to the exterior finish of Glenwood, Warmwood, and Chadwood: Stain, Sealer, Sanding, and Catalyzed Top Coat.

A 3-step process is applied to the exterior finish of DWhite: Primer, Sanding, and Enamel.

## Wood Characteristics & Finishes

On all wood products, expansion, contraction, and warping are typical due to changes in climate conditions. Painted finishes may develop slight separation lines, finish breaks, and seam lines. These changes will be most noticeable at the stiles, rails, and panel joints. Painted and stained finishes are also susceptible to changes in color due to exposure to natural light, extreme heat, smoke, etc. The changes may become more noticeable over time and through seasonal changes. These changes are normal and are not considered quality defects.

## Shelves

All wall cabinets feature adjustable shelves. A selection of six different heights is built into each 30" high and taller wall cabinet. On 2-door wall units, the center 3" stile is used for center support of adjustable shelves. It is recommended that a 1/4" hole be drilled in the back for additional center support. The extra shelf clip is provided. Shelves are 1/2" engineered wood, with rounded front edge and printed wood grain.

## Hardware

Chadwood, Glenwood, Warmwood, and DWhite feature concealed self-closing hinges - no door pulls included.

## Vanities

Vanity size cabinets are available in all lines. Tall vanities only available in Glenwood, Warmwood, and DWhite.

## Doors

**Chadwood:** Door frames are mortised and tenoned construction of solid oak. The recessed plywood insert is three-ply with a rotary cut red oak veneer.

**Glenwood/Warmwood:** Shaker style door frames are made of solid beech, mortised and tenoned. The recessed plywood insert is three-ply with a rotary cut hard maple veneer.

**DWhite:** Painted white shaker style door frames are made of solid beech, mortised and tenoned. The recessed plywood insert is three-ply with a rotary cut hard maple veneer.

## Drawers

Plywood drawers are standard on all lines. The drawers operate with a full front to back epoxy coated suspension system on nylon rollers.

Drawer fronts of solid oak and beech are finger routed on the bottom for easy opening.

## Oven Cabinets

Oven cabinets are made to accommodate almost every type oven by removing the necessary lower drawer units. Metal support rails are included.

## ADA Accessible Cabinets

Kitchen Kompact will only provide ADA accessible cabinets on multi-family projects where the ADA accessible units are 10% or less of the entire project. ADA accessible cabinets are available, on special order, in a limited number of sizes.

## Outline Specifications

Kitchen cabinets shall be as manufactured by Kitchen Kompact according to the company's material specifications. Finishes and cabinet units (Chadwood, Glenwood, Warmwood, and DWhite) are as specified by size and type according to Kitchen Kompact stock catalogs. Cabinets are reversible so there is no need to specify left or right. Hardware, finish, materials, and other requirements shall be as specified by Kitchen Kompact. Each cabinet is shipped individually and in its own carton.

## Cabinet Code Descriptions

For ease of ordering, the numerical designation indicates the cabinet width, the letter identifies the height.

## Flexible Installation

Wall cabinets are reversible for right- or left-hand installation. Base cabinets come hinged left, but can be easily reversed by moving hinges to predrilled right-hand locations.

## General Information

Orders are taken subject to our approval. Any changes must be made within four days after date of our acknowledgment. If this notice is not received, cabinets will be shipped according to the acknowledgment. Orders are not subject to cancellation without our written consent. Do not return merchandise to factory without our permission. All merchandise shipped in good condition - any damage claims must be made with delivering carrier.

For Installation and Care Guidelines, visit our website!  
[kitchenkompact.com](http://kitchenkompact.com)

SUBJECT TO CHANGE WITHOUT NOTICE. SHIPMENTS F.O.B. JEFFERSONVILLE. Kitchen Kompact cabinets meet or exceed the American National Standards Institute #A161.1 recommended minimum construction and performance standards for kitchen and vanity cabinets.

*Kitchen Kompact, Inc. reserves the right to change design, specifications, or materials without being obliged to incorporate such changes in products of prior manufacture. The artwork and specifications contained herein are the property of Kitchen Kompact, Inc., and may not be copied or reproduced without the written consent of the company.*



Kitchen Kompact, Inc.  
911 East 11th St. (47130)  
P.O. Box 868  
Jeffersonville, IN 47131-0868  
(812) 282-6681 Phone  
(812) 282-7880 Fax

[kitchenkompact.com](http://kitchenkompact.com)



Kitchen Kompact is certified under the Kitchen Cabinet Manufacturers Association's Environmental Stewardship Program\*.

\* This certification has been recognized by the National Association of Home Builders' (NAHB) with the Green Building Award for Advocate of the Year for its environmental and sustainability achievements.